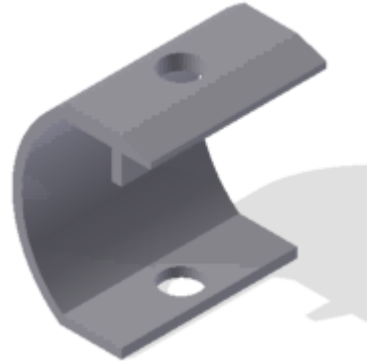


## Module Clamps

**Module Clamps - Simple to use, and allow secure assembly of modules.**

**C-Clip - Our CC-1.8 and CC-1.4 flexible clips are already used widely in industry for roof mounted, ground mounted, and tracking systems.**



### Key Features:

- The only end clip that leans toward the panel when tightened for a secure grip
- Wide width protects module from excess stress
- Rounded end provides a solid bumper to protect the outer panel edges
- Can be used to aid wire management

## Waffle Clips

**Waffle Clip - The WC-1.8 and WC- 1.4 are the perfect complement components to the C-Clip for inter-panel clamping**

### Key Features:

- High Strength 6000 series aluminum
- Asymmetric profile clamps first panel in place before sliding second panel under same clip
- Provides narrow profile for a 5/8 inch inter-panel spacing

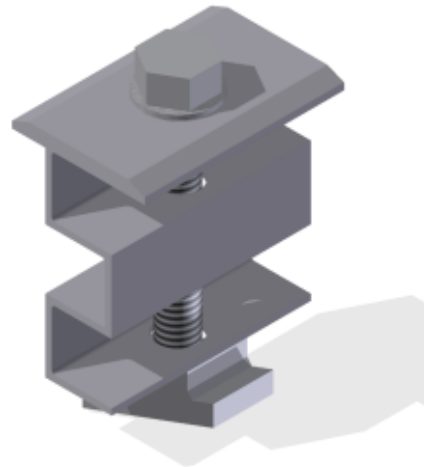


## Module Clamping Assemblies with AN Series Nuts

ISA can provide Module Clamping Preassemblies ready for module mounting



CCA 1.8 & 1.4



WCA 1.8 & 1.4

### Key Features:

- Can be inserted anywhere along the ANS Strut
- Uses AN Series Nuts with Standard 1/6 Turn Fastening
- Holds panels securely and nut cannot rotate after tightening
- 300 Series Bolts and Washers