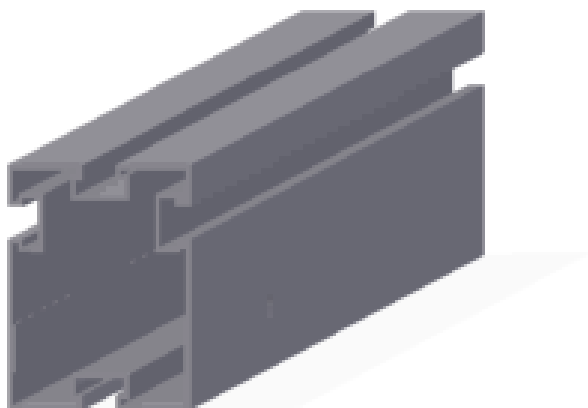


Module Mounting Products

Angle Nut Strut

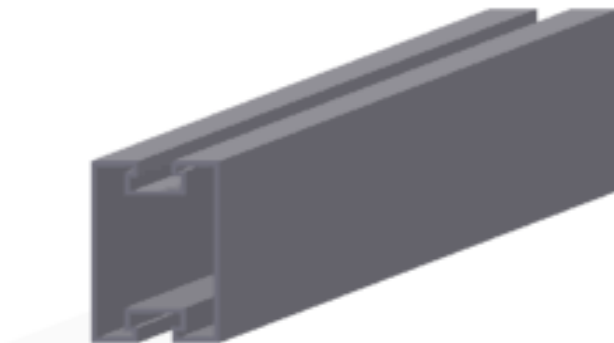
Angle Nut Strut (ANS Series) - A simplified approach for solar mounting
ISA's ANS Strut products have been designed to reduce assembly time - both for strut-to-strut connections and for panel mounting connections. The ANS 4x3 (4" High x 3" Wide) and the ANS 3x2 (3" High x 2" Wide) are the currently available sizes.



ANS 4 x 3

Key Features:

- High strength 6000 series aluminum structurally certified strut
- ISA Long Span Beam incorporates the ANS 4 x 3 Strut
- ISA Arrays incorporate the ANS 3 x 2 Strut for module mounting
- Slots are designed for AN series angle nuts
- Allows secure engagement with only 1/6 turn engagement

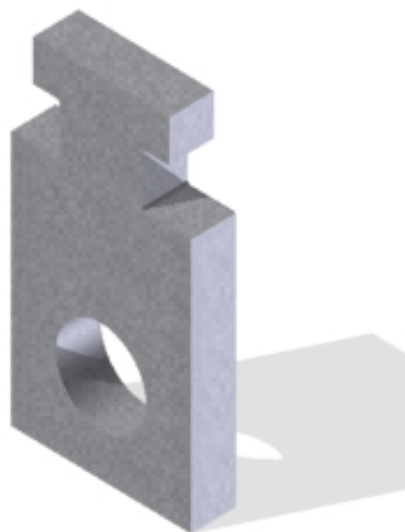
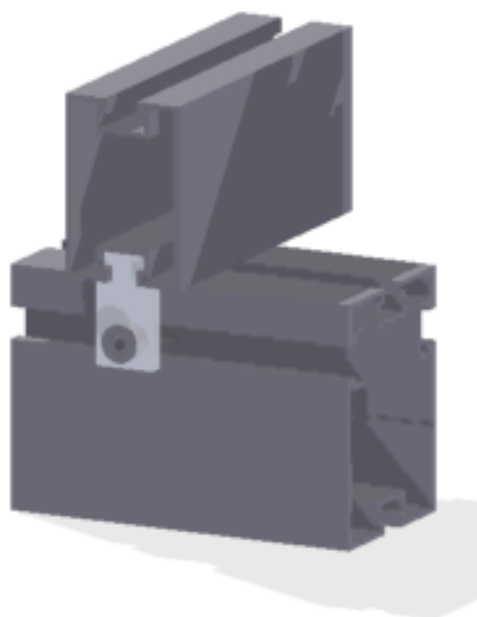


ANS 3 x 2

Module Mounting Products (cont.)

Strut to Strut Retainers

Strut to Strut Retainers – RT1 Retainer allows simple connection of ANS Strut sections



RT1

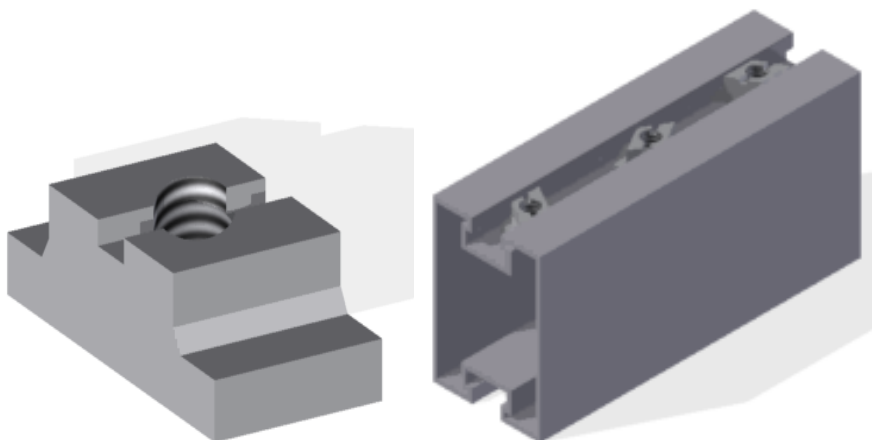
Key Features:

- Retainer rotates into position anywhere along the ANS Strut slot
- Retainer clamps beams together with our standard AN series angle nut and bolt
- Self-cinching retainer design prevents strut slippage and reinforces strut structure

Module Mounting Products (cont.)

Angle Nut

AN Series Angle Nuts – Quick to install and secure for the long term



Key Features

- High Strength aluminum alloy
- AN nuts are incorporated for clamping ANS strut sections together
- AN nuts are incorporated for clamping modules in place
- Easy to insert anywhere along the ANS Strut
- Requires only 1/6 turn to engage into secure position
- Holds panels securely and cannot rotate out of position when tightened